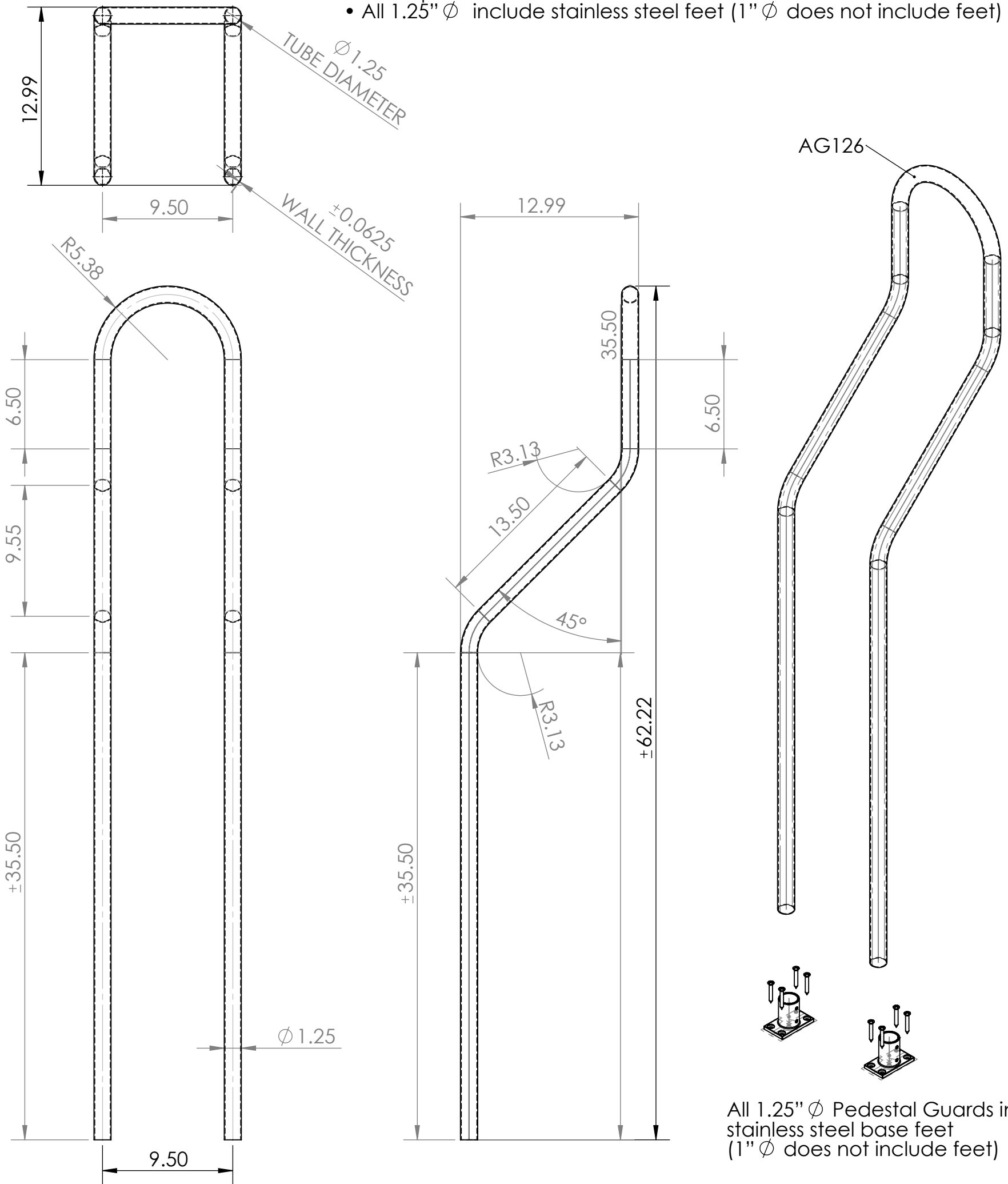


AG126

AngleGuard 9.5" Wide 1.25" Double Bend for one InstrumentPod and a SailPod or SystemPod below (base feet are included)

- AngleGuard – 9.5" Wide – 1.25" Diameter – Double Bend for mounting one InstrumentPod on the upper straight section and one GP1030/GP1060/GP1920 Series SailPod on the angled section below.
- 316 grade stainless steel
 - .065 gauge wall thickness
 - Mirror polished finish
 - All 1.25" ϕ include stainless steel feet (1" ϕ does not include feet)



All 1.25" ϕ Pedestal Guards include stainless steel base feet (1" ϕ does not include feet)

PROPRIETARY AND CONFIDENTIAL
THE INFORMATION CONTAINED IN THIS DRAWING IS THE SOLE PROPERTY OF OCEAN EQUIPMENT. ANY REPRODUCTION IN PART OR AS A WHOLE WITHOUT THE WRITTEN PERMISSION OF OCEAN EQUIPMENT IS PROHIBITED.

		UNLESS OTHERWISE SPECIFIED:		NAME	DATE
		DIMENSIONS ARE IN INCHES		DRAWN	MDJ 02/10/2025
		TOLERANCES:		CHECKED	
		FRACTIONAL $\pm 1/8"$		ENG APPR.	
		ANGULAR: MACH $\pm .5^\circ$ BEND $\pm .5^\circ$		MFG APPR.	
		TWO PLACE DECIMAL ± 0.13		Q.A.	
		THREE PLACE DECIMAL ± 0.125		COMMENTS:	
		INTERPRET GEOMETRIC TOLERANCING PER:		0.0625 Wall Thickness	
		MATERIAL 316 Stainless Steel, Welded Seam Tube			
NEXT ASSY	USED ON	FINISH			
		Mirror Polish			
APPLICATION		DO NOT SCALE DRAWING			

OCEAN EQUIPMENT

TITLE:

SIZE	DWG. NO.	REV
B	AG126	

SCALE: 1:12 WEIGHT: SHEET 1 OF 1